

OUTDOOR ROOFS
STANDARD FIXINGS



Last updated 27 June 2022

FOR ADDITIONAL TECHNICAL INFORMATION PLEASE CONTACT:

Stephen Sinnott

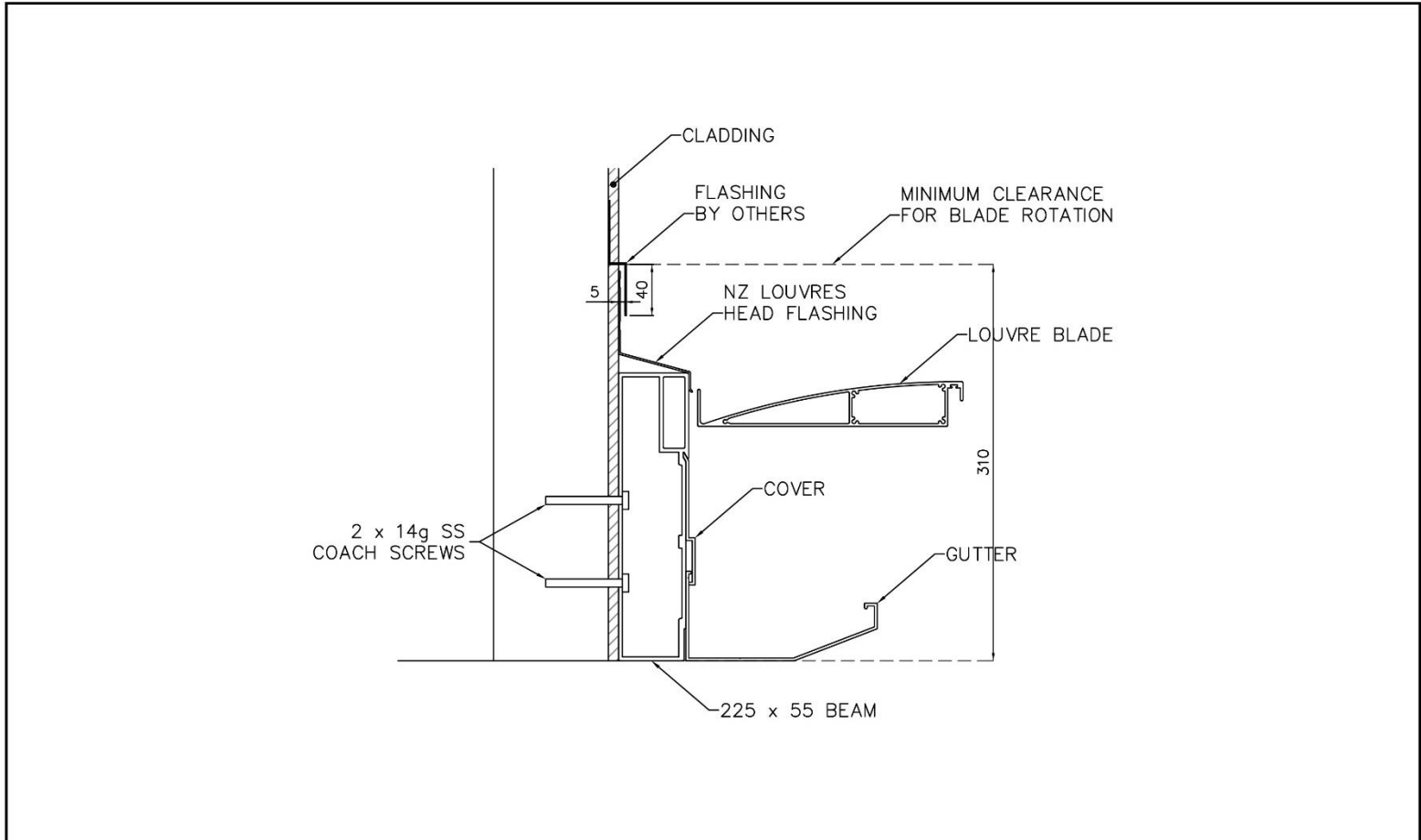
p 06 878 6300 m 021 621 262
e stephen@douglasinnovation.nz

413 Queen Street West, Hastings

douglasinnovation.nz

LOUVRE ROOFS

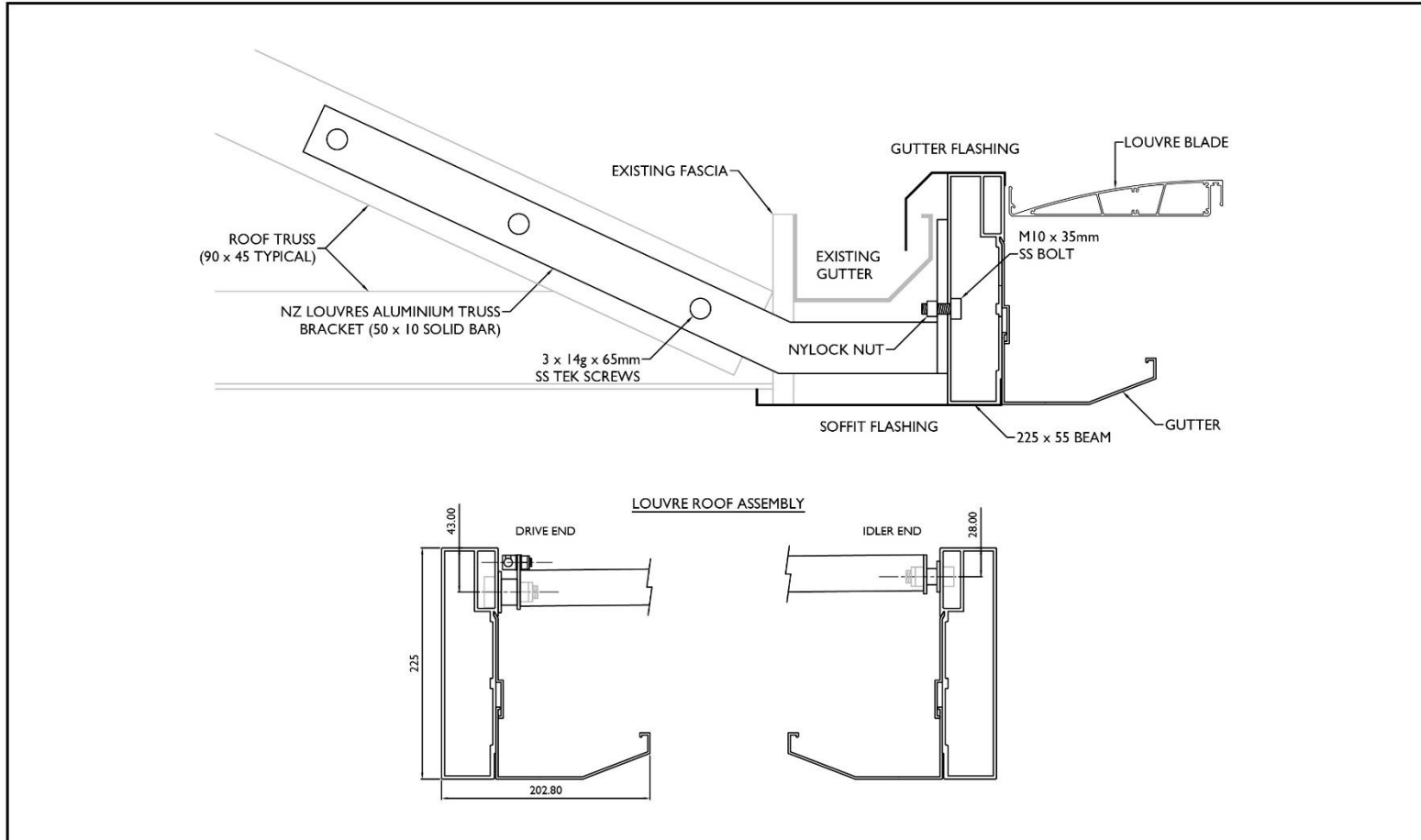
TYPICAL BEAM FIXING TO CLADDING




 <p>NZ LOUVRES <i>Love your Lifestyle</i></p>	CLIENT	DRAWING TITLE	DATE	
		LOUVRE ROOF BEAM FIXING DETAIL		27.01.2016
		DRAWING NO.	SCALE	1:4 (A4)
			DRAWN BY	P.D
		ISSUE	A	

LOUVRE ROOFS

TYPICAL TRUSS BRACKET



	CLIENT	DRAWING TITLE	DATE	25.08.2015	
		TYPICAL TRUSS BRACKET & FLASHING DETAIL		SCALE	1:5 (A4)
		DRAWING NO.	DRAWN BY	P.D	
			ISSUE	C	

CURVED CANOPY PERGOLA

TYPICAL BRACKET FIXING - EXAMPLE



CURVED CANOPY PERGOLA

TYPICAL BRACKET FIXING - CLOSE-UP

